

PHOS 65 downlight compact is a particularly small projector that can be installed almost invisibly in a false ceiling with a built-in diameter of only 130 mm. Setting up and focusing the projection is particularly quick thanks to the new magnetic mount and the rotating focus. PHOS 65 downlight compact is equipped with the latest LED technology and is cooled with a fan. The LED driver is supplied with the projector and is placed in the false ceiling. The projection motif (gobo) can be changed without tools.

### Construction

housing: ..... aluminium, steel, powder coated  
 weight (standard equipment): ..... 3.1 kg | 6.8 lbs  
 On / Off switch: ..... not available  
 IP-rating of the housing ..... IP 20

### Operating Conditions

application area ..... dry interiors, in-ceiling installation  
 ambient temperature: ..... -30°C - +35°C  
 cooling: ..... active, with a fan, 27 dBA

### Light Source and Optics

light source: ..... High Power LED, 60 W  
 luminous flux of the projector: ..... 3,913 lumens  
 efficiency: ..... 58 lumens / watt  
 colour temperature: ..... 6,300 – 6,700 K  
 colour rendering index: ..... Ra >70  
 estimated lifetime of the LED (L70): ..... 35,000 operating hours  
 projection lens: ..... Standard Lens, f=85 mm (included)  
 gobo size / image size: ..... Ø 50.0 mm / Ø 40.0 mm  
 photobiological safety (ICE62471-5:2015, EN62471-5:2015): ..... RG-2

### Electrical Specifications

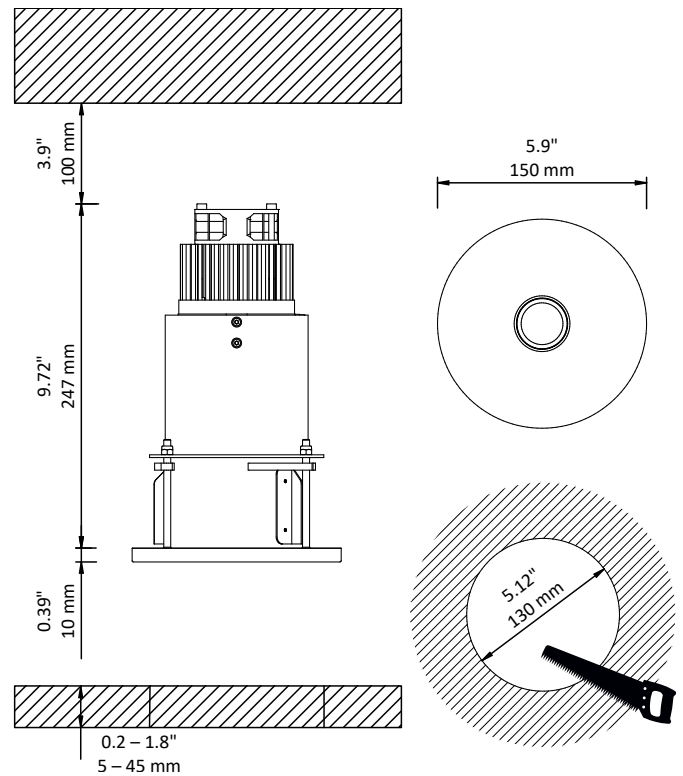
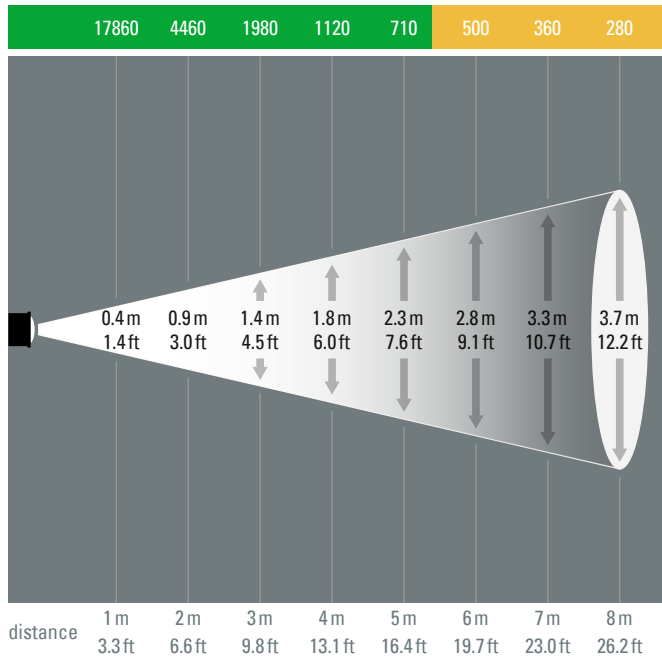
input voltage: ..... 220 - 240V AC, 50/60 Hz  
 power consumption: ..... 67 W  
 power factor: ..... 0.9 cos φ  
 electrical protection class: ..... II  
 max. number of devices per circuit breaker B16A/C16A: ..... 15/25  
 device is dimmable: ..... no  
 electronic ballast: ..... external (included)

**Item No.:** 20852810 (white), 20852820 (black), 20852830 (silver)

**Additional Accessories:** individual glass gobo according to your digital artwork

## PHOS 65, Standard Lens, f = 85 mm, 26°

illuminance [lux]



### Brightness Colour Coding:

- = with standard room lighting, suitable for coloured motifs
- = in low-light rooms, for motifs without colour

- The results shown are approximate values. The result may differ slightly in reality.
- The projection sizes indicate the maximum diameter that can be projected with a Ø 40 mm image.
- The projection motif is circular and fills the image area of the gobo. Other objects, e.g. rectangles or texts are fitted into the circular projection area.
- The projection is at right angles to the projection surface.

Detailed projection calculator at: [www.derksen.de](http://www.derksen.de)



**derksen®**  
lichttechnik

Derksen Lichttechnik GmbH  
Johannes-Rau-Allee 4  
45889 Gelsenkirchen  
Germany

Tel.: +49 209 98070-0  
info@derksen.de  
www.derksen.de