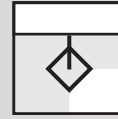
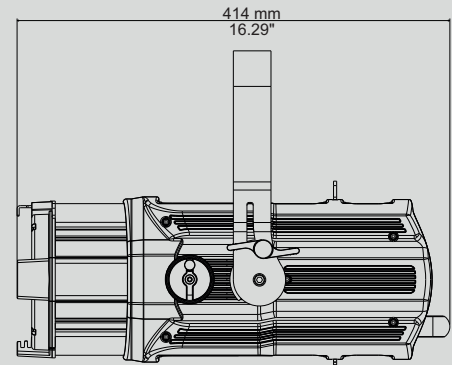
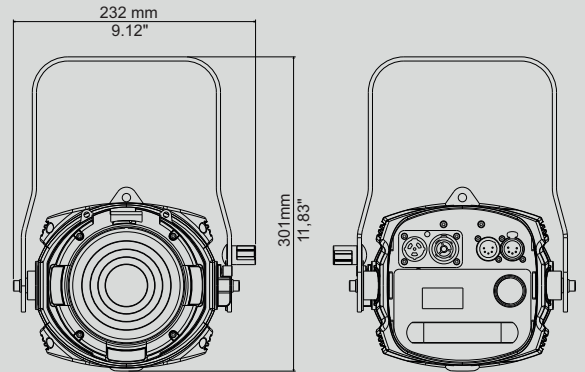


TENORE 1 WH

This version is equipped with fixed white LEDs available in 3000K, 4000K, and 5000K variants, with a CRI of up to 95, ensuring high color rendering and optimal spectral stability—essential for applications where color fidelity is a fundamental requirement. Its versatility is expressed in the ability to choose between a Fresnel lens for soft, even light and a PC lens for a more defined and controlled beam. Tenore 1 is a reliable and cutting-edge solution designed for professionals who demand precision lighting tools and high-performance illumination.



FRESNEL / PC LENS
BRACKET INSTALLATIONS
WHITE 3000K, 4000K, 5000K



APPLICATIONS

Theatre, TV studio, Virtual Production, Auditorium, Conference Hall, Theme parks and Places of Worship.

SKILLS

"The Tenore 1 offers a powerful concentrated light with a uniform and regular distribution.
Wide range of zoom excursion from 10° to 68° Fresnel lens and 8° to 68° PC lens.
6000 Lumens output with less Power Consumption, only 95W.
High Quality of Light: CRI up to 95
Graphic display and Jog Shuttle encoder for easy and intuitive navigation within the menu."

FEATURES



CERTIFICATIONS



CODE

03.TTN	202 3000K	.49	BLACK	F	FRESNEL
	204 4000K	.65	WHITE	A	ANTHALO
	203 5000K				

FINITURES



TECHNICAL DATA

OUTPUT

- Single white 3000 K LED source
-Lumens Output: 5400 (Fresnel Lens)
-Lumens Output: 5550 (PC Lens)
-CRI >95
- Single white 4000 K LED source
-Lumens Output: 5850 (Fresnel Lens)
-Lumens Output: 8100 (PC Lens)
-CRI >95
- Single white 5000 K LED source
-Lumens Output: 5700 (Fresnel Lens)
-Lumens Output: 6050 (PC Lens)
-CRI >90
- LED Lifespan: 50000 hours (L70B10)

OPTICAL GROUP

- Ø120 mm Fresnel lens
12°-75° Linear Zoom
- Ø120 mm PC lens
9,5°-75° linear zoom

DIMMER

- PWM Dimming technology

CONTROL

- LCD graphic display + Jog Shuttle
- RDM/DMX 512 protocols
- 'Standard', 'Silent' (default), 'Ultra Silent' and 'Automatic' fan modes
- Noise level
-Fan Standard : 23dBA @ 1m (normal operation, 100% power)
-Fan Silent : 22dBA @ 1m (normal operation, 100% power)
-Fan Ultra Silent: 21dBA @ 1m (normal operation, 90% power)
- Firmware updatable via DTS firmware uploader dongle

DMX

- 4ch (Default) – Shutter, Dimmer 16bit and Fixture Control channel.
- 1ch – Dimmer 8bit
- Fine – Dimmer 16bit

POWER SUPPLY

- Electronic Wide-range 100/240 Vac 50-60 Hz
- Power consumption: 95 W max / 230Vac
- Power Factor: PF >0.95

CONNECTIONS

- DMX: XLR 5 pole In/Out panel connectors
- Power supply: PowerCON TRUE1 In/Out panel connectors

CIRCUITS PROTECTIONS

Overvoltage and overtemperature circuits protection

TEMPERATURE

- Operating: -10° +45°
- Storage: -20° +60°

PHYSICAL

- IP20
- Weight :
-FR - 5,3 Kg (11,7 lbs)
-PC - 5,6 Kg (12,3 lbs)
- Finishing: Black - White

TEST AND CERTIFICATION

- CE

INTERCHANGABLE LENS



ACCESSORIES

INCLUDED

- 1x PowerCON TRUE1 female cable connector (code 0520P066)
- 1x XLR 5 pins female cable connector (code 0508B147)
- 1x XLR 5 pins male cable connector (code 0508B148)
- 1x Filter frame Black finishing - already installed on the projector (code 02M093600.49)

ON REQUEST

- Fresnel lens kit (cod. 02SK0571)
- Antihalo PC lens kit (cod. 02SK0572)
- Barndoor 4 leaf Black finishing (code 03.TBD10.49)
- Tophat Black finishing (code 03.TA241)
- Outdoor DMX cable 2 x 0,25 mm2 - Flame retardant (code 0509C158)
- Aliscraf clamp for Ø 48-51 mm tube-max load 100 Kg, indicated for any kind of loads, both vertical and/or horizontal (code 0521A033)
- Professional G-QUICK clamp - max load 100 Kg, not indicated for horizontal load (code 0521A037)
- Safety cable 3 x 600 mm - BGV-C1 certified (code 0521A049)
-Single stranded: Max 20 Kg
-Double stranded: Max 30 Kg
- Safety cable for Barndoor / Filterframe - Ø 0,8mm (code 0521A048)
- DTS firmware uploader dongle (code 03.LA.206)

PHOTOMETRIC DATA

TENORE 1 WH FRESNEL	mt 2	mt 4	mt 6	mt 8	mt 10	
3000°K	13800	3450	1533	863	552	lux center (lx)
	1283	321	143	80	51	foot candles (fc)
4000°K	14000	3500	1556	875	560	lux center (lx)
	1301	325	145	81	52	foot candles (fc)
5000°K	14800	3700	1644	925	592	lux center (lx)
	1375	344	153	86	55	foot candles (fc)
Zoom min. Beam angle 12°	42	84	126	168	210	diameter (cm)
	1.38	2.76	4.14	5.52	6.90	diameter (ft)

TENORE 1 WH FRESNEL	mt 2	mt 4	mt 6	mt 8	mt 10	
3000°K	2200	550	244	138	88	lux center (lx)
	204	51	23	13	8	foot candles (fc)
4000°K	2280	570	253	143	91	lux center (lx)
	212	53	24	13	8	foot candles (fc)
5000°K	2320	580	258	145	93	lux center (lx)
	216	54	24	13	9	foot candles (fc)
Zoom max. Beam angle 75°	307	614	921	1228	1535	diameter (cm)
	10.07	20.14	30.21	40.28	50.35	diameter (ft)

TENORE 1 WH PC	mt 2	mt 4	mt 6	mt 8	mt 10	
3000°K	19000	4750	2111	1188	760	lux center (lx)
	1766	441	196	110	71	foot candles (fc)
4000°K	20000	5000	2222	1250	800	lux center (lx)
	1859	465	207	116	74	foot candles (fc)
5000°K	20200	5050	2244	1263	808	lux center (lx)
	1877	469	209	117	75	foot candles (fc)
Zoom min. Beam angle 9,5°	33	66	100	133	166	diameter (cm)
	1.09	2.18	3.27	4.36	5.45	diameter (ft)

TENORE 1 WH PC	mt 2	mt 4	mt 6	mt 8	mt 10	
3000°K	2360	590	262	148	94	lux center (lx)
	219	55	24	14	9	foot candles (fc)
4000°K	2440	610	271	153	98	lux center (lx)
	227	57	25	14	9	foot candles (fc)
5000°K	2480	620	276	155	99	lux center (lx)
	230	58	26	14	9	foot candles (fc)
Zoom max. Beam angle 75°	307	614	921	1228	1535	diameter (cm)
	10.07	20.14	30.21	40.28	50.35	diameter (ft)