



This weatherproof outdoor projector is equipped with the latest LED technology and is passively cooled without a fan. The device is intended to be attached to poles or tubes with its special holder. The ballast is already integrated in the housing. Its projector is connected via a watertight connection tube. This budget-priced entry level model is suitable for year-round outdoor use or for damp interiors. The projector is especially suitable for outdoor projections on facades or portals or areas in pedestrian zones. The projection motif (gobo) can be changed without tools.

Construction

housing: aluminium, steel, powder coated
 weight (standard equipment): 3.9 kg | 8.6 lbs
 On / Off switch: not available
 IP-rating of the housing IP 64

Operating Conditions

application area outdoor locations, street lighting poles
 ambient temperature: -30°C - +35°C
 cooling: passive, noiseless, 0 dBA

Light Source and Optics

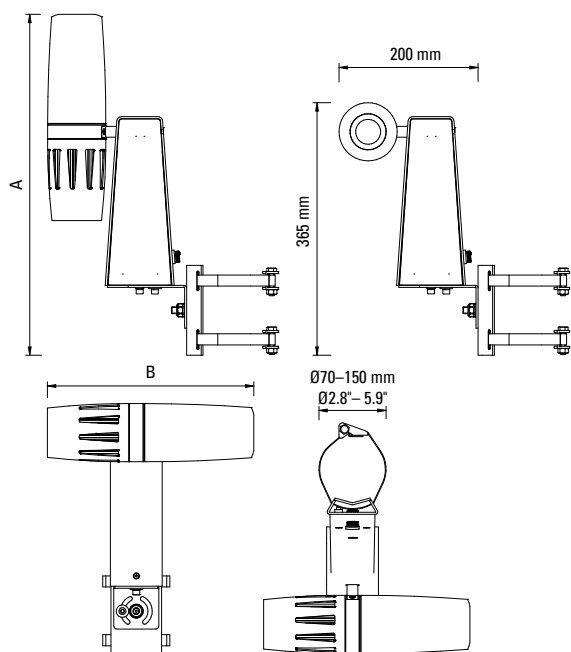
light source: High Power LED, 22 W
 luminous flux of the projector: 1,574 lumens
 efficiency 54 lumens / watt
 colour temperature: 6,300 – 6,700 K
 colour rendering index: Ra >70
 estimated lifetime of the LED (L70): 35,000 operating hours
 projection lens: Standard Lens, f=85 mm (included)
 gobo size / image size: Ø 50.0 mm / Ø 40.0 mm
 photobiological safety (ICE62471-5:2015, EN62471-5:2015): RG-2

Electrical Specifications

input voltage: 220 - 240V AC, 50/60 Hz
 power consumption: 29 W
 power factor: 0.5 cos. φ
 electrical protection class: I
 max. number of devices per circuit breaker B16A/C16A: 4/7
 device is dimmable: no

Item No.: 20025610 (white), 20025620 (black), 20025630 (silver)

Additional Accessories: individual glass gobo according to your digital artwork, Extra Wide Angle Lens, f=45 mm, Wide Angle Lens, f=63 mm, Telephoto Lens, f=135 mm



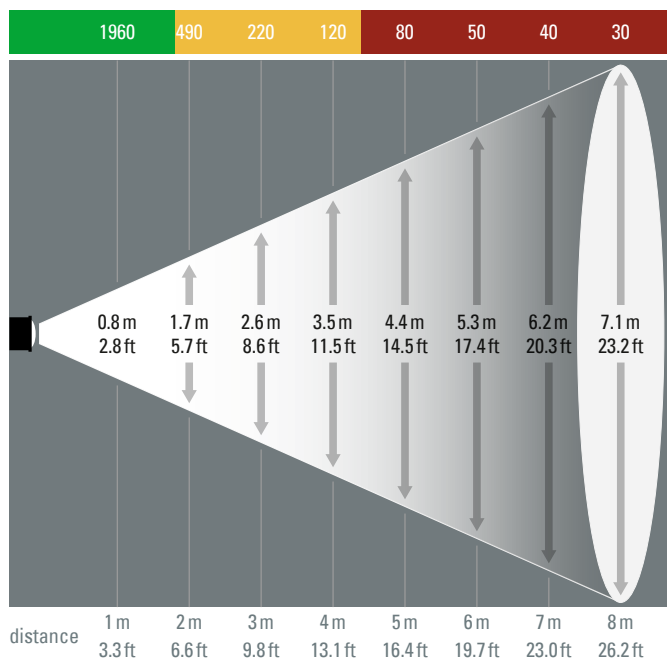
Projektion Lens	Size A	Size B
Extra Wide Angle, f=45 mm	516 mm 20.3"	322 mm 12.7"
Wide Angle, f=63 mm	493 mm 19.4"	298 mm 11.7"
Standard, f=85 mm	493 mm 19.4"	298 mm 11.7"
Telephoto, f=135 mm	564 mm 22.2"	370 mm 14.6"



PHOS 25s pole mount – Photometric Diagrams

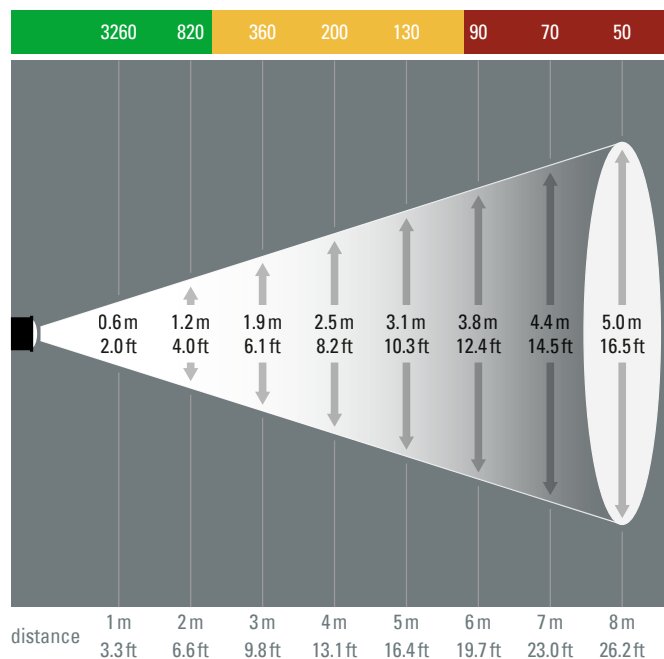
PHOS 25, Extra Wide Angle Lens, f = 45 mm, 48°

illuminance [lux]



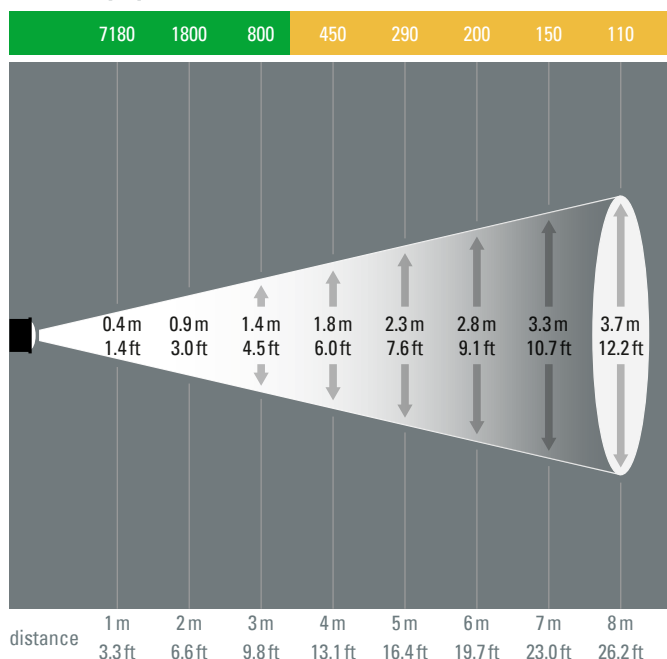
PHOS 25, Wide Angle Lens, f = 63 mm, 35°

illuminance [lux]



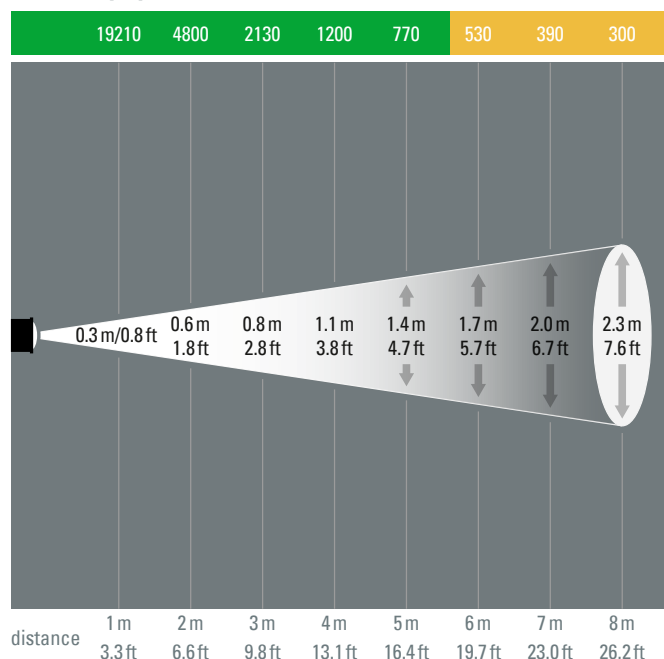
PHOS 25, Standard Lens, f = 85 mm, 26°

illuminance [lux]



PHOS 25, Telephoto Lens, f = 135 mm, 17°

illuminance [lux]



Brightness Colour Coding:

- = with standard room lighting, suitable for coloured motifs
- = in low-light rooms, for motifs without colour
- = recommended only in darkened rooms

- The results shown are approximate values. The result may differ slightly in reality.
- The projection sizes indicate the maximum diameter that can be projected with a Ø 40 mm image.
- The projection motif is circular and fills the image area of the gobo. Other objects, e.g. rectangles or texts are fitted into the circular projection area.
- The projection is at right angles to the projection surface.

Detailed projection calculator at: www.derksen.de

derksen®
lichttechnik

Derksen Lichttechnik GmbH
Johannes-Rau-Allee 4
45889 Gelsenkirchen
Germany

Tel.: +49 209 98070-0
info@derksen.de
www.derksen.de